

# ROLLS

## PI9 PhonePatch II

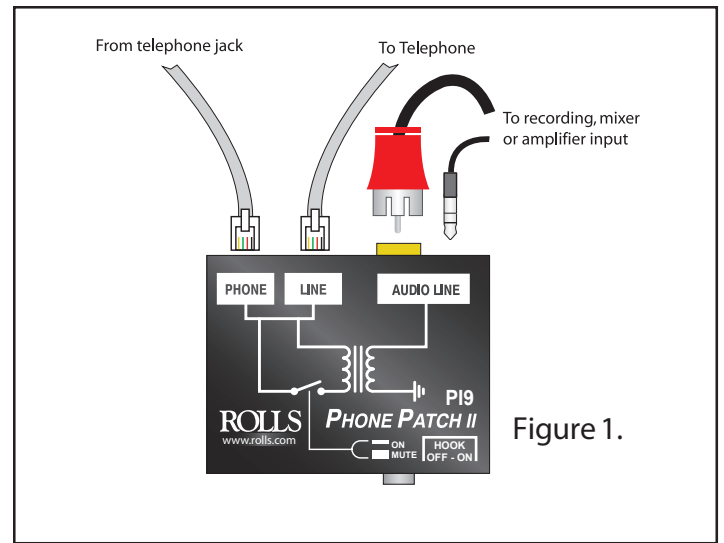
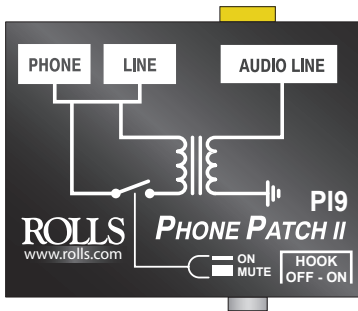


Figure 1.

### SPECIFICATIONS

Input Impedance: 600 Ohms  
 Output Impedance: 10 K Ohms  
 Input Level: +15 dB max  
 Output Level: +5 dB max  
 Ringer Equivalence: 0.0A, 0.0B

Connections: 2; RJ11 phone jack,  
 2; RCA jacks  
 1: Tip-Ring-Sleeve 3.5mm jack

Size: 2.7" W x 1.45" H x 2.32" D  
 Weight: 1 lb.

### Quick Start Guide

### CONNECTION : Refer to Figure 1.

Connect a standard telephone cable to an active telephone line, and to the PI9 Phone Input. To pass the signal on to another telephone, connect another standard telephone cable from the PI9 Line jack to a telephone. Connect either a stereo RCA cable, or stereo 1/8" (3.5mm) cable to an AUDIO LINE output jack.

### HOOK: OFF - ON

An option on the PI9 is the ability to select whether or not the unit will hold a line open. A line being "held open" acts like a telephone is off the hook. ON is for the line to be left open and OFF is when the phone is hung up.

### INTRODUCTION

Thank you for your purchase of the PI9 PhonePatch II. The PI9 takes a signal from a standard telephone jack and, via transformer isolation, connects to a pair of RCA jacks, or a stereo 1/8" (3.5mm) jack. The isolation keeps the output signal separate from the telephone line, and will not keep the line open unless the HOOK switch is in the ON position as described later in the guide.

Applications for the PI9 include broadcast, conference rooms, phone training, laptop presentations, or wherever a phone conversation needs to be recorded or heard over a PA system.

The PI9 also works for putting audio onto a phone line. However, you must ensure the signal level is no hotter than line level (+4 dB) or you will get distortion on the phone line.

### WARRANTY

For information on the Rolls One Year Limited Warranty, and to register this product, visit our website at [www.rolls.com](http://www.rolls.com)

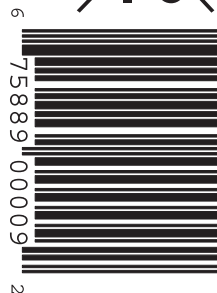
### DESCRIPTION

INPUTS: 2 ea: Standard RJ11 phone jacks.  
 AUDIO LINE: Stereo RCA, 1/8" (3.5mm) jack

ON/MUTE switch: Connects or disconnects the Phone/Line jacks to the transformer and the Audio output. With the switch in (ON) the audio is active. When the switch is out (MUTE) the audio signal is muted.



Rolls Corporation  
 Salt Lake City, UT  
 03/10



PI9 PhonePatch II

The PI9 is a passive device for connecting a phone line to an audio system or vice versa. Handy for phone interviews, broadcast, or laptop presentations with a remote phone signal.

- RCA and 1/8" (3.5mm) Inputs and Outputs
  - RJ11 Phone and Line jacks
- ## PI9 PhonePatch II