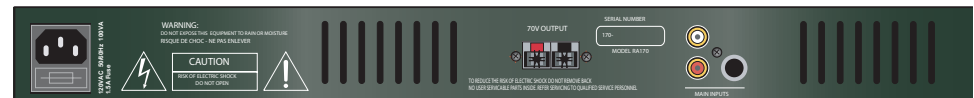


# ROLLS

## RA170 70 VOLT / 70 WATT POWER AMPLIFIER



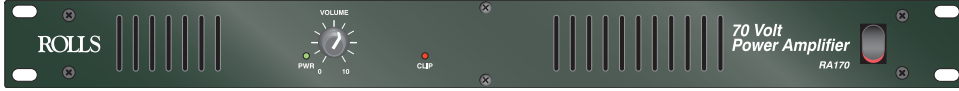
IMPORTANT NOTICE: THIS UNIT IS NOT DESIGNED TO DRIVE SPEAKERS DIRECTLY, IT IS FOR OPERATION IN 70 VOLT SYSTEMS. TOTAL TAPS SHOULD NOT EXCEED 70 WATTS.

## INTRODUCTION

Thank you for your purchase of the ROLLS RA170 70 Volt / 70 Watt Power Amplifier. The RA170 is a virtually indestructible single rack space amplifier intended for the contractor and install market. It requires no transformer coupling to drive 70 volt speakers directly. The mono unit features both RCA and 1/4" inputs. The 70 volt speaker outputs are provided via spring-loaded terminals.

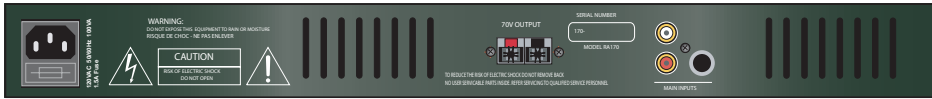
## DESCRIPTION

### FRONT PANEL



**VOLUME:** This control adjusts the output level of the RA170.  
**PWR:** LED indicating the unit's power status.  
**CLIP:** These LEDs light in the event of RA170 circuit overload.

### REAR PANEL



**120 VAC 50/60 HZ 15 VA:** IEC Power Cord. Connect to a properly grounded AC source. **NOTE: REPLACE THE FUSE WITH ONLY THE PROPER RATED FUSE. INSTALLING A FUSE OTHER THAN THE RECOMMENDED RATING WILL DAMAGE THE UNIT.**

**70V Output:** Spring loaded terminals to be connected to 70 Volt speaker connections. No special transformers are required.

**MAIN INPUTS:** 1/4" and RCA jacks to be connected to line level signal to be amplified. Note: Do not use both jacks simultaneously as both jacks are tied directly together.

### BURN WARNING!

**THE FRONT PANEL OF THE RA170 IS THE HEAT DISTRIBUTION FOR THE OUTPUT STAGE. IF THE UNIT IS OPERATED AT HIGH VOLUMES, IT MAY GET HOT.**

## INSTALLATION

Mount the RA170 in a safe and sturdy rack. Connect the output of the signal source to the selected input of the RA170. Connect the 70V Output terminals to the 70 volt speakers.

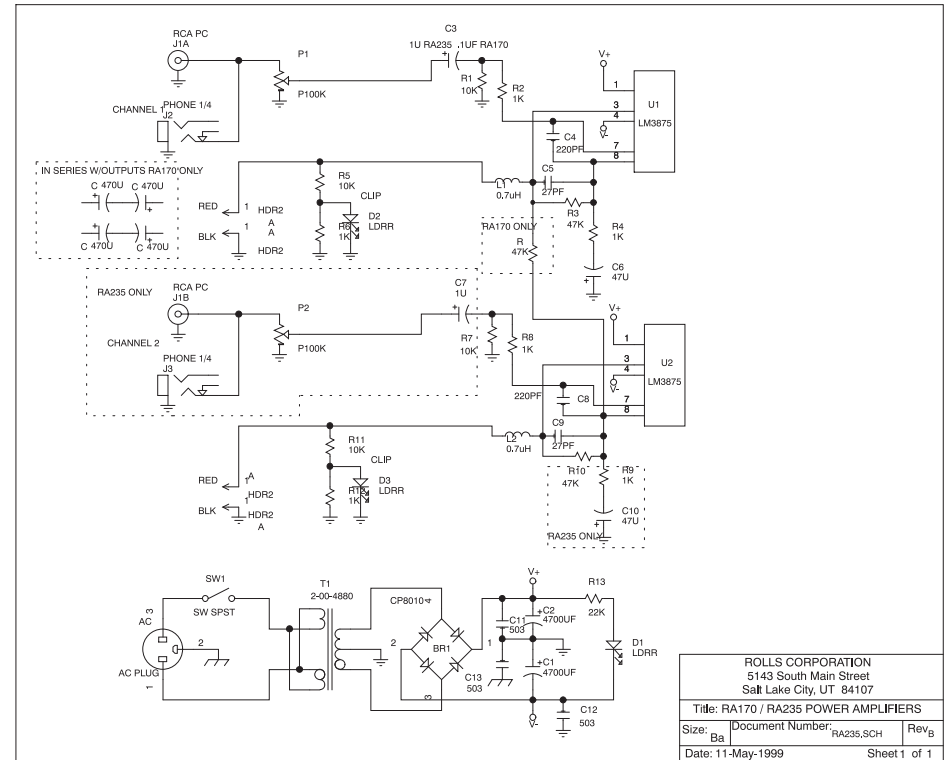
Plug the AC cord into a properly grounded AC outlet.

Send signal to the RA170 and adjust the VOLUME control for a comfortable listening level.

## SPECIFICATIONS

Recommended Load:	70 Volt line (70 Watts maximum)
Frequency Response:	70Hz to 20 kHz
Equiv. Input Noise:	100 microVolt typical, A weighted
	600 Ohm input
S/N Ratio:	114 dB @ 70 Watts
Gain:	40 dB
Input Impedance:	47 k Ohms
Size (W x H x D):	19" x 1.75" x 5" (48 x 4.5 x 12.7)
Weight:	5.5 lbs (2.5 kg)

## SCHEMATIC



ROLLS CORPORATION 5143 South Main Street Salt Lake City, UT 84107		
Title: RA170 / RA235 POWER AMPLIFIERS		
Size: Ba	Document Number: RA235,SCH	Rev: B
Date: 11-May-1999	Sheet 1 of 1	